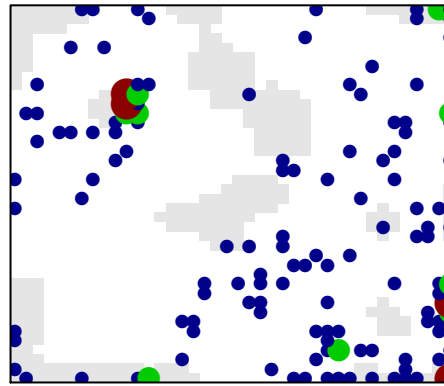
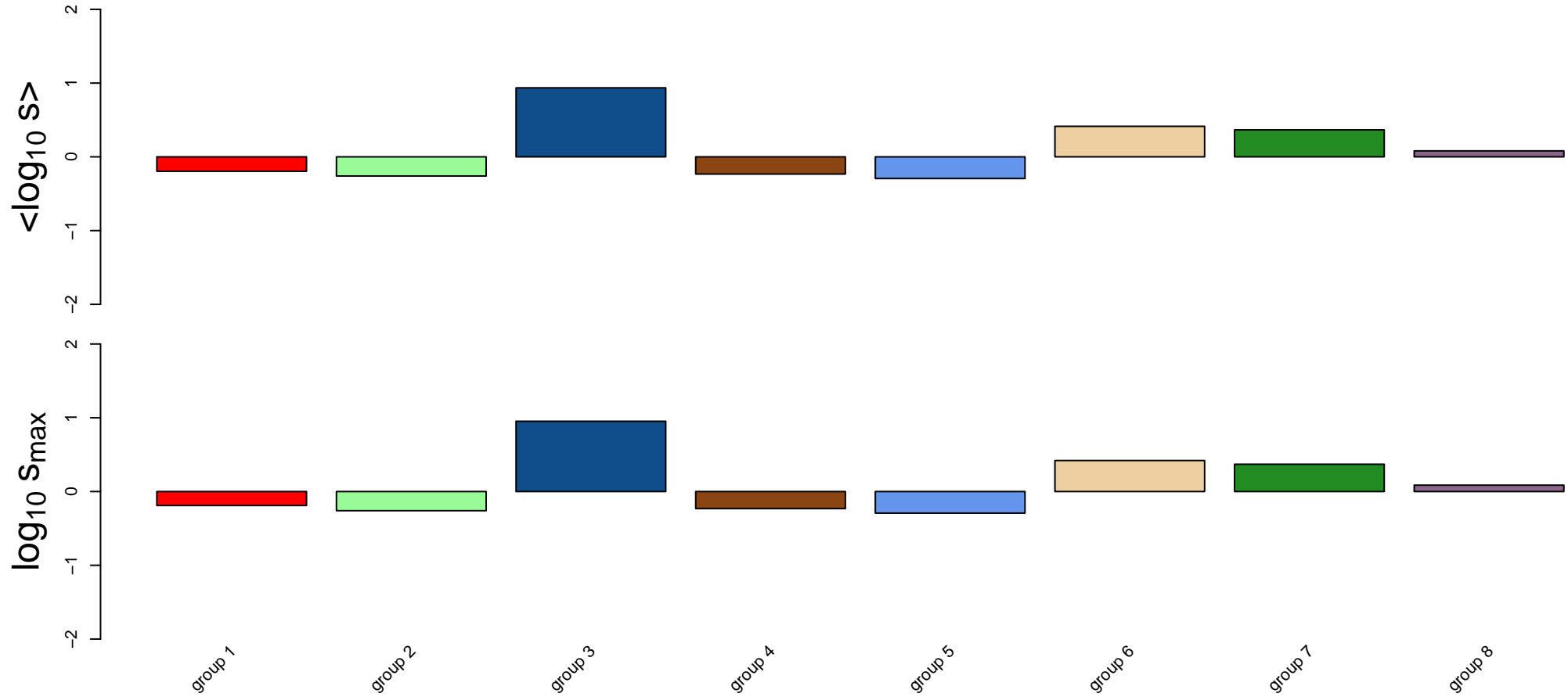
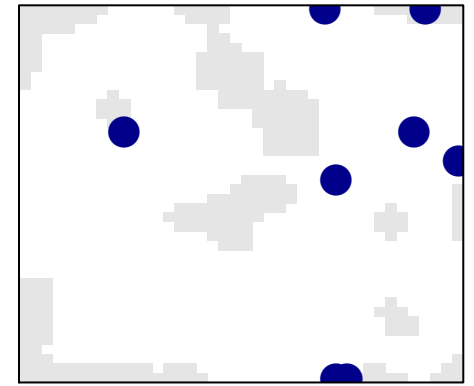


Cardiac muscle contraction

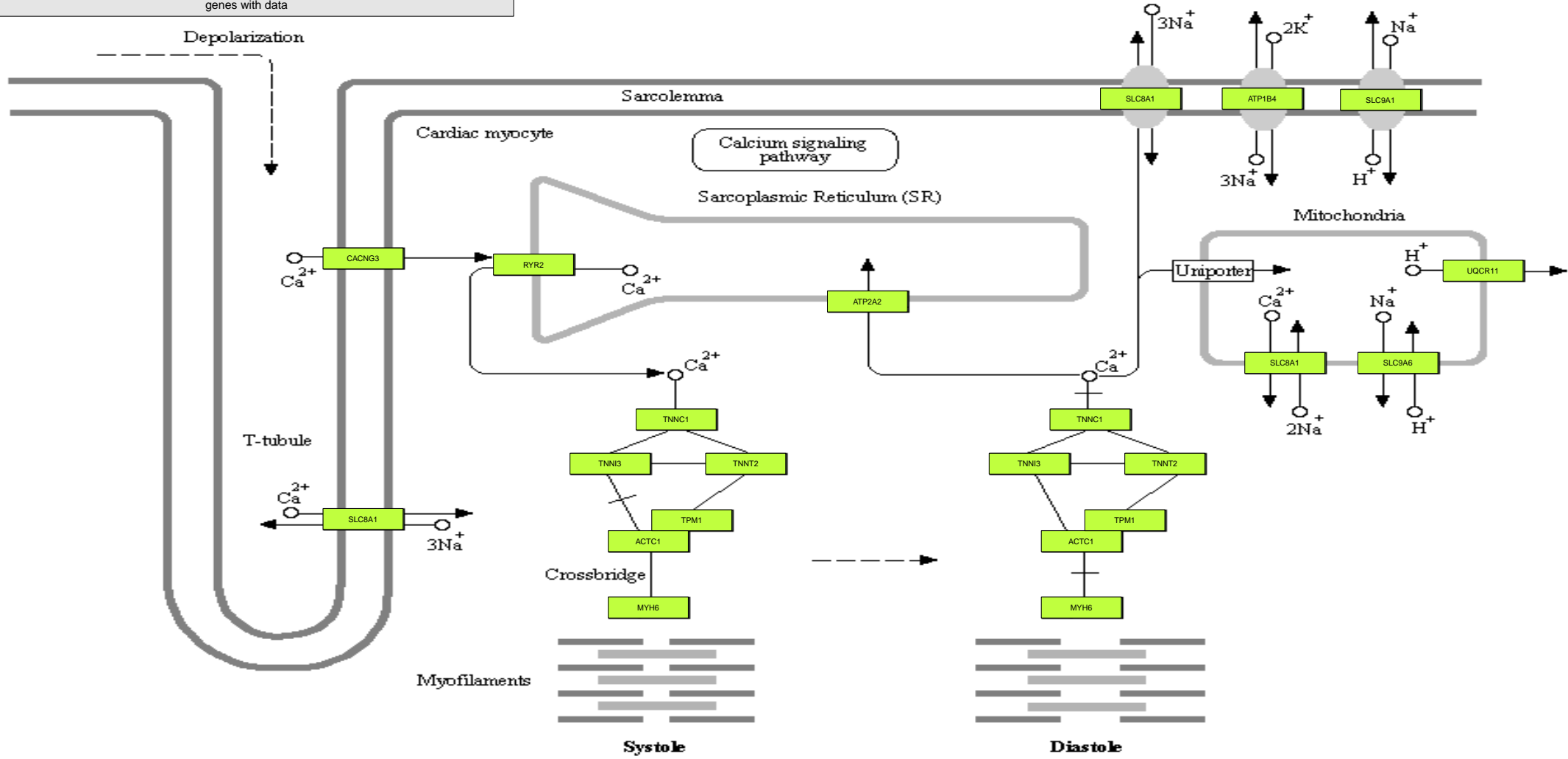
all genes



sink node genes

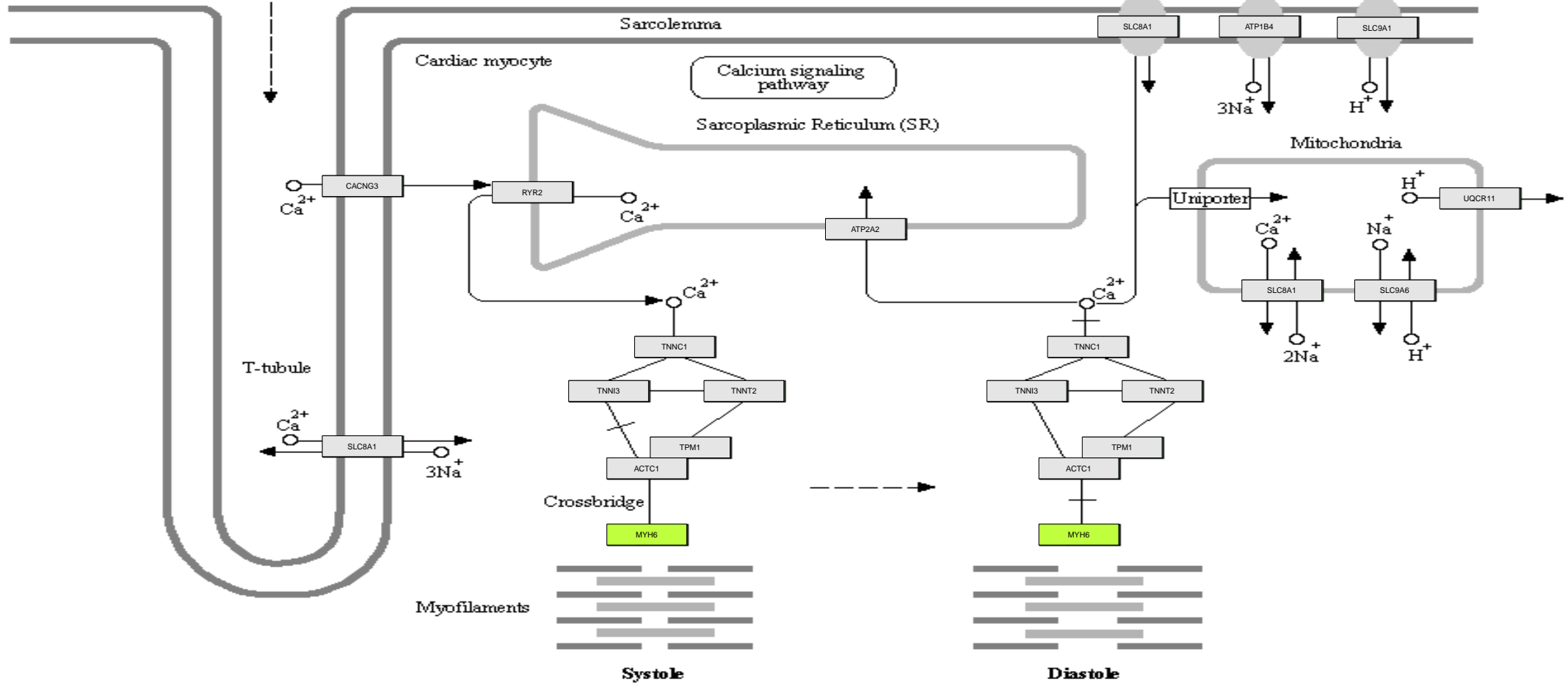


Cardiac_muscle_contraction
genes with data

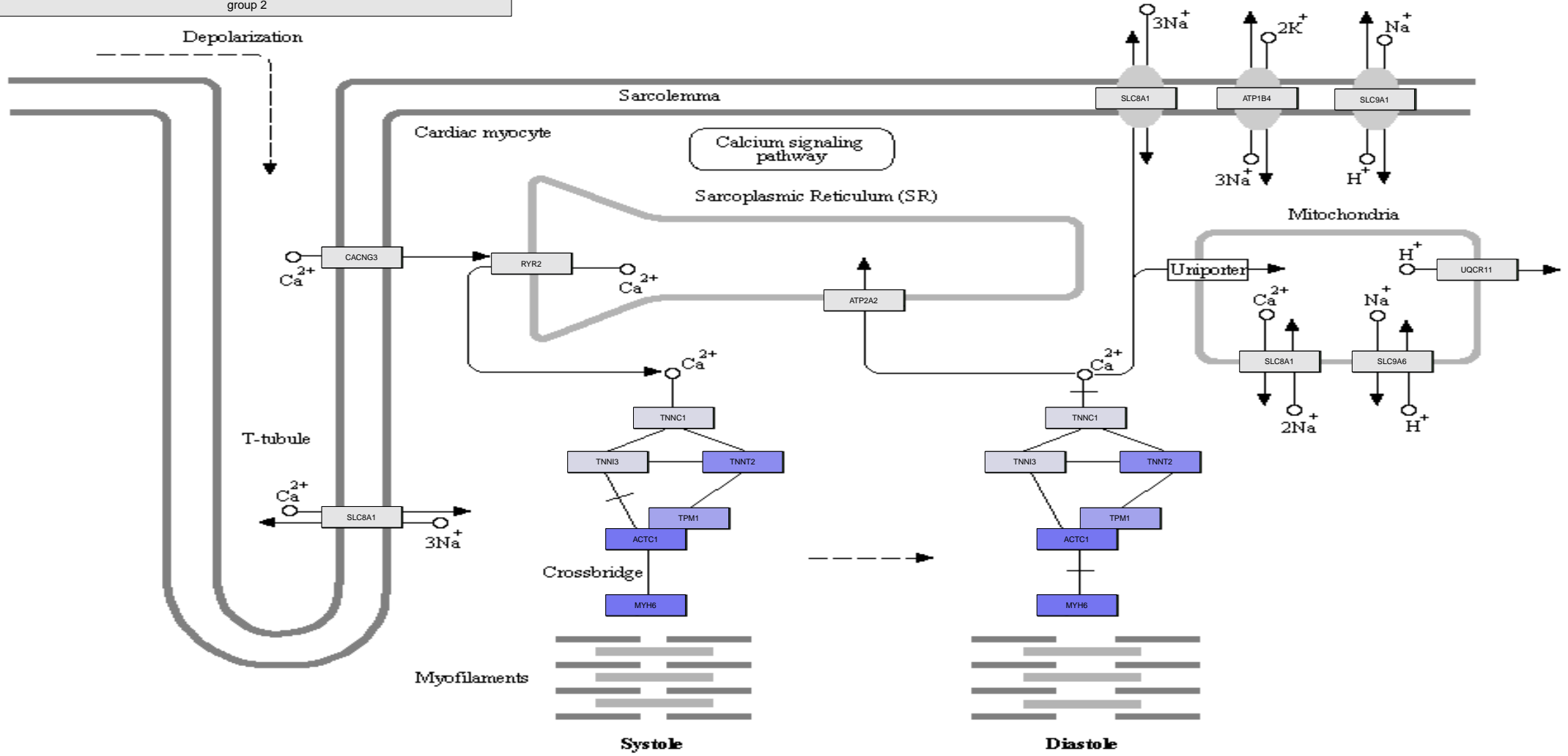


Cardiac_muscle_contraction
sink nodes

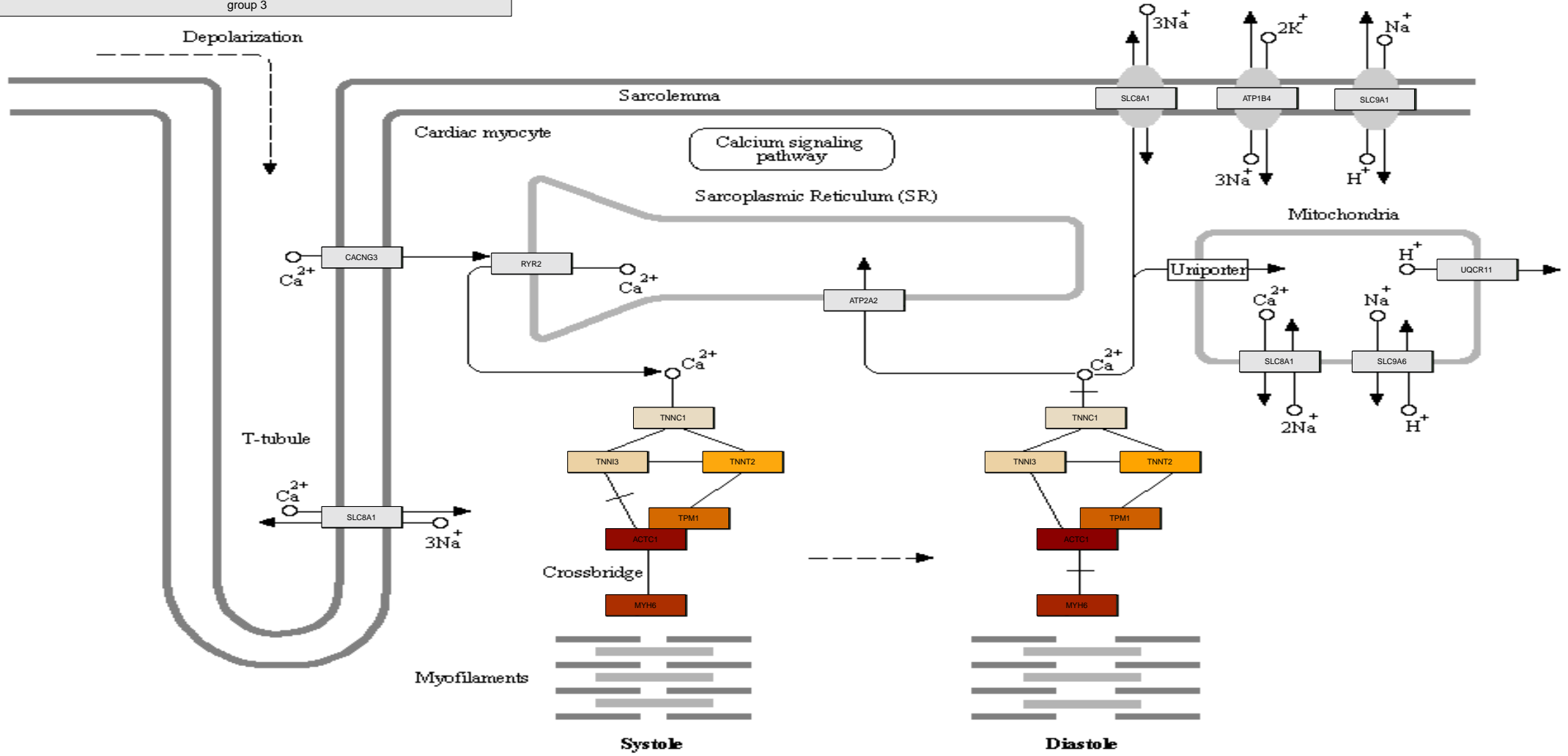
Depolarization



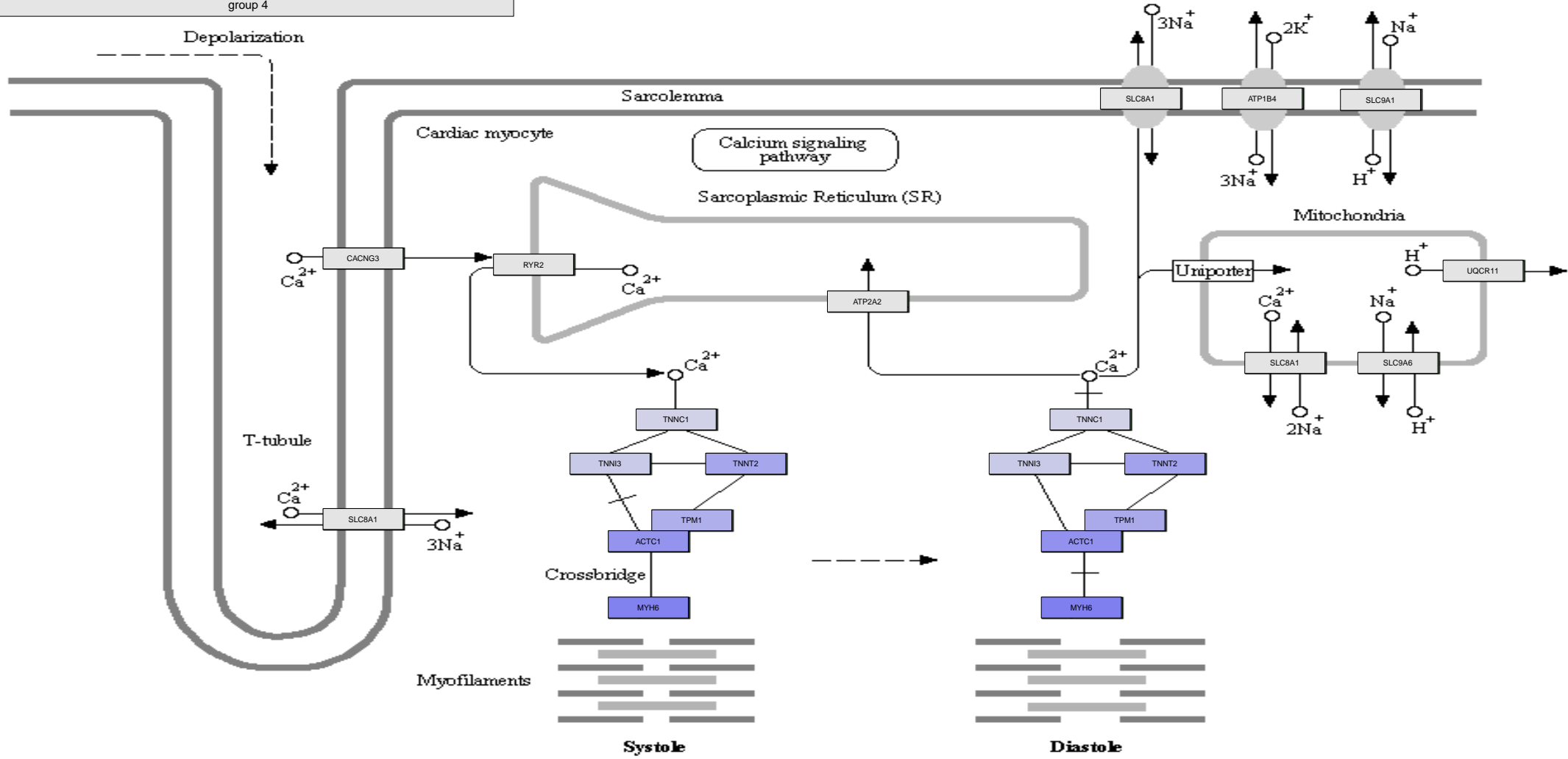
Cardiac_muscle_contraction
group 2



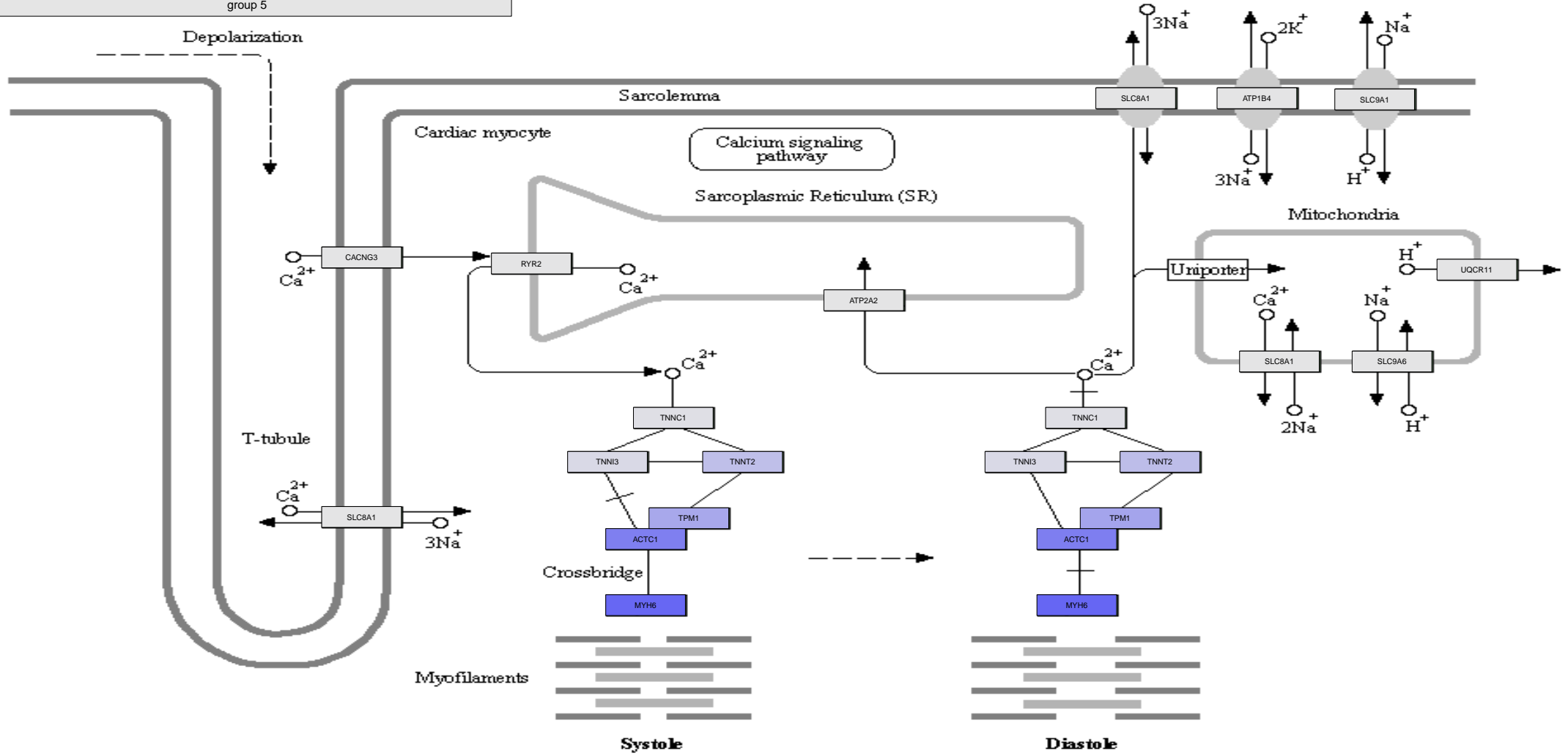
Cardiac_muscle_contraction
group 3



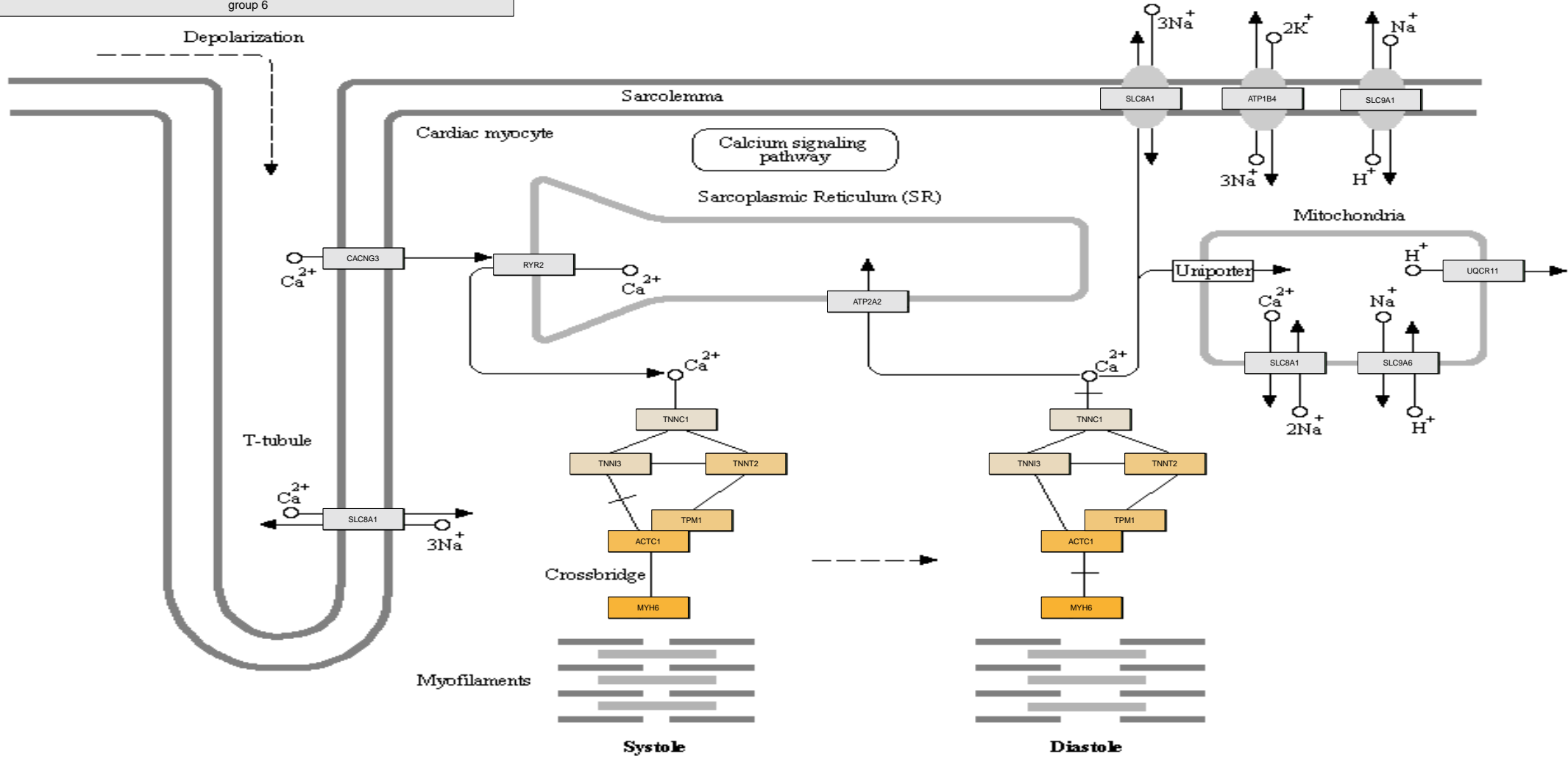
Cardiac_muscle_contraction
group 4



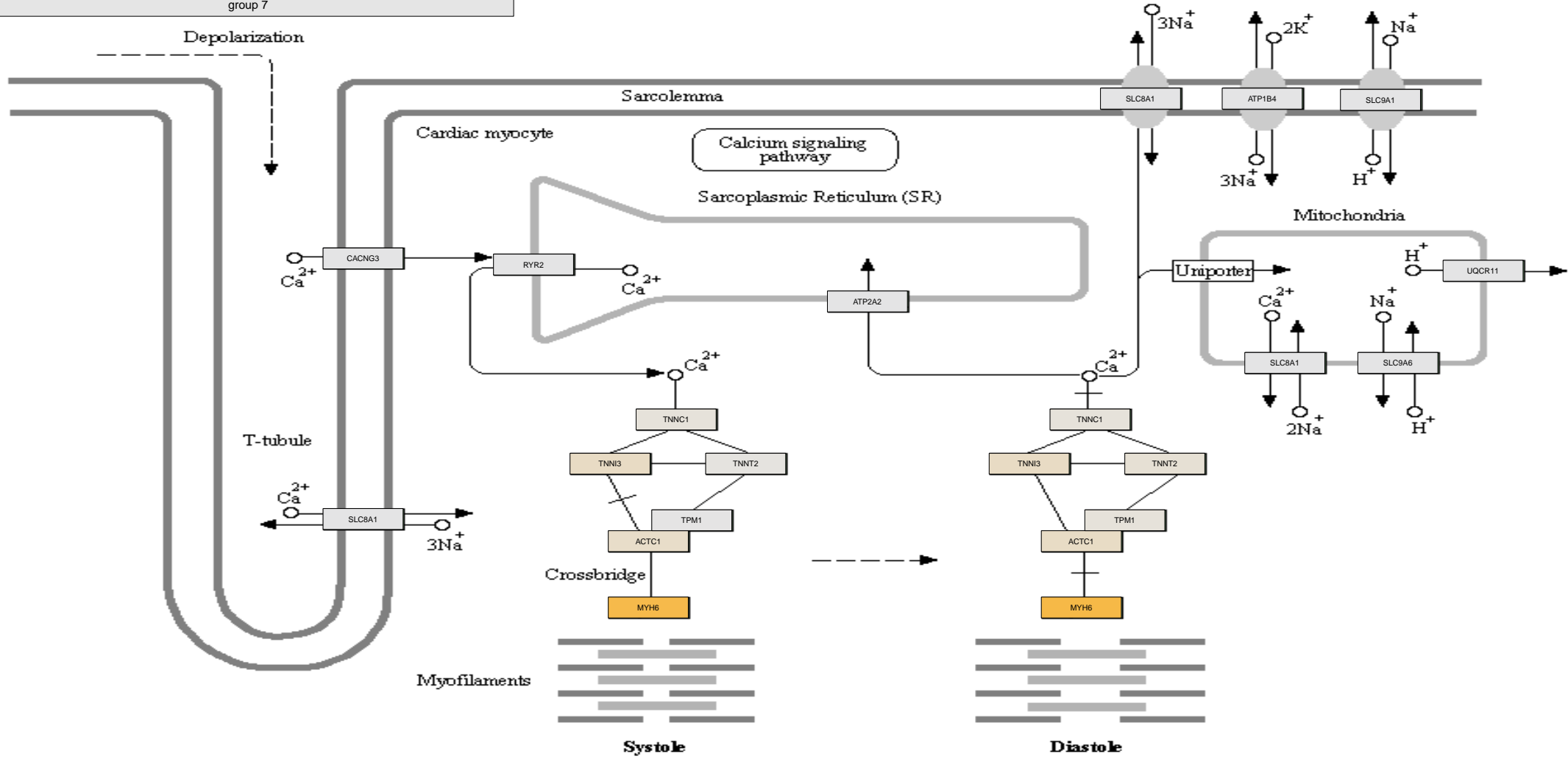
Cardiac_muscle_contraction
group 5



Cardiac_muscle_contraction
group 6



Cardiac_muscle_contraction
group 7



Cardiac_muscle_contraction
group 8

